

SLM Laser Light Source

ATG7200

Features

- Single pulse energy: 1-100 μ J (532 nm)
- Peak power: 1-4 kW (532 nm)
- Pulse width: <25 ns
- Repetition rate: 1-1000 Hz
- Peak power: 1-4 kW (532 nm)
- Power stability: <5% (over 4 hours)
- Beam diameter at aperture: \sim 2 mm
- Beam divergence (full angle): <2 mrad
- Lifetime: 10,000 hours

Application

- LIBS : Laser-Induced Breakdown Spectroscopy
- Biology: DNA sequencing
- Biology: Flow cytometry
- Biology: Cell sorting
- Holography Interferometry
- Physical experiments

Description

The new single longitudinal mode (SLM) pulsed laser source ATG7200 from Optosky features two wavelengths: 532 nm and 1064 nm. The ATG7200-532 has a peak power of up to 4 kW and a maximum single pulse energy of 100 μ J. The ATG7200-1064 boasts a peak power of up to 8 kW and a maximum single pulse energy of 200 μ J. The pulse width of the ATG7200 is less than 25 ns, with a beam divergence of less than 2 mrad and a beam diameter of approximately 2 mm at the aperture. These outstanding performance parameters enable it to excel in various high-precision application scenarios. The ATG7200 maintains power stability within 5% even after continuous operation for over 4 hours.

In addition to its excellent performance, the ATG7200 features a compact design, long lifespan, low cost, and ease of operation. These characteristics make it widely applicable in fields such as DNA sequencing, flow cytometry, cell sorting, optical instruments, spectroscopic analysis, Holography Interferometry, and physical experiments.

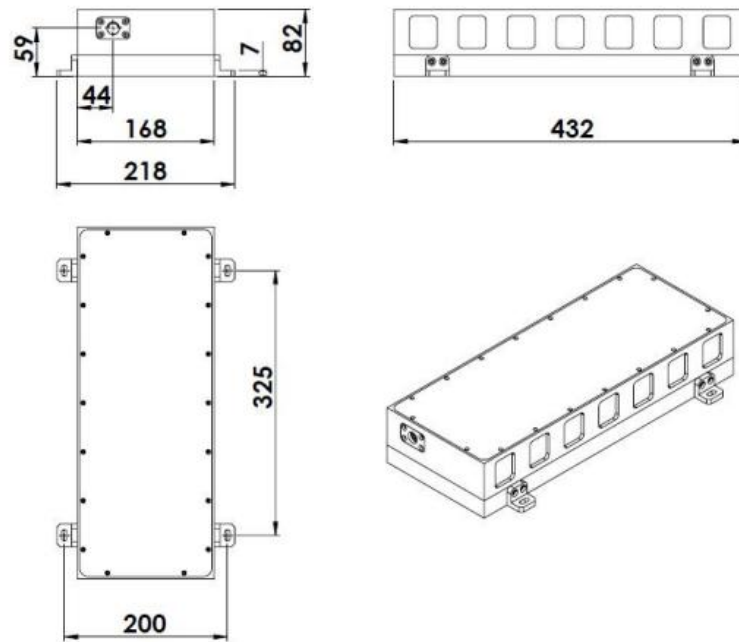


1.Parameter

Model	ATG7200-532	ATG7200-1064
Wavelength	532±1 nm	1064±1 nm
Single Pulse Energy	1-100μJ	1-200μJ
Working Mode	Acousto-optic Q-switch	
Longitudinal Mode	Single mode	
Pulse Width	<25ns	
Peak Power	1-4kW	1-8kW
Repetition Rate	1-1000Hz	
Polarization Ratio	>100:1, horizontal (vertical optional)	>100:1, vertical (horizontal optional)
Average Power Stability	<5%, <3%(over 4 hours)	
Beam Divergence (full angle)	<2 mrad	
Beam Diameter at Aperture	~2mm	
Preheat Time	<20min	
Cooled Method	Water cooling	
Working Temperature	10-35°C	
Power Supply (90-264VAC)	PSU-AOM(3U)	
Lifespan	10000 hours	

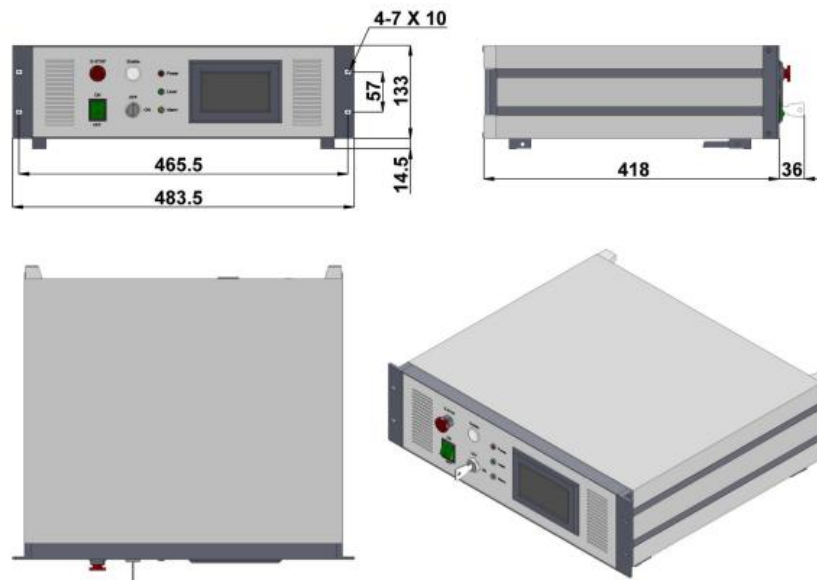
Note: Please use the laser head on a well-cooled heat sink!!!

2. Product Dimensions



432(L) × 218(W) × 82(H) mm³, 9kg

Figure 1: Laser Head of ATG7200



483.5 (L) × 454 (W) × 147.5 (H) mm³, 8.3 kg

Figure 2: Power Supply Unit of ATG7200



Figure 3: Water Cooling System of ATG7200